

5 CHIPS IN ONE 15M SUPER LENGTH CC

Model: SK-ST5Q60V24-WW+RGB+CW





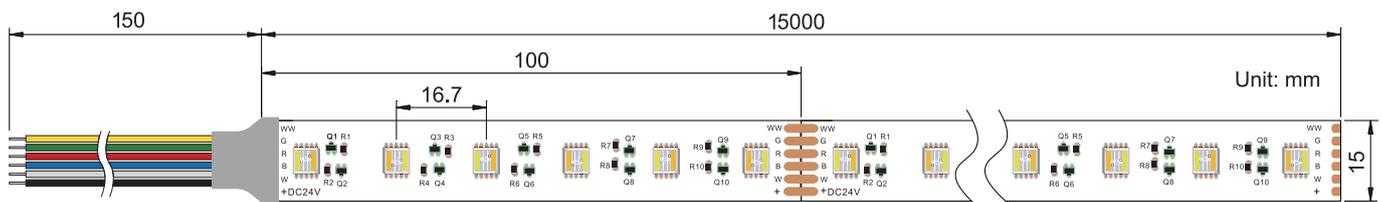
Product Features

Constant current technology protects each LED against voltage drop, keeping same brightness from the beginning to the end; just feed on one supply saved much on installation; Max Length 50M in one Roll;

- Using Top LEDs with high lumen, pure copper PCB for good heat;
- Built-in constant current IC with temperature sensing function ;
- latest 5 in 1 RGBW+WW offers more uniform lighting;
- Suitable kinds of controllers and amplifiers;
- Dimmable; easy cutting and soldered;



Structure & Parameter



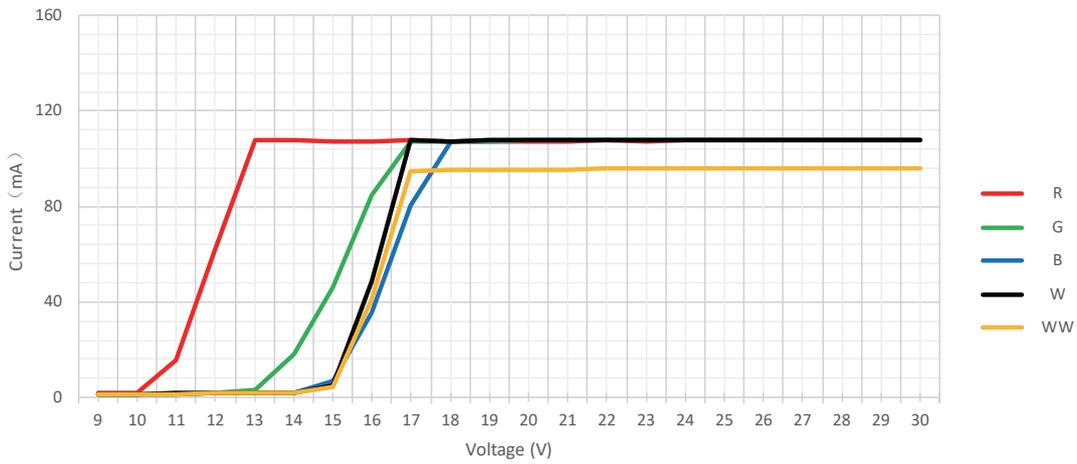
Optical Parameter

Model No.	SK-ST5Q60V24-WW+RGB+CW
Input voltage	DC 24V
Power/m	12W
Lumen / m	W: 256LM/M
	WW: 207LM/M
	W+WW: 456LM/M
	R+G+B: 352LM/M
	R+G+B+W+WW: 800LM/M

Basic Parameter

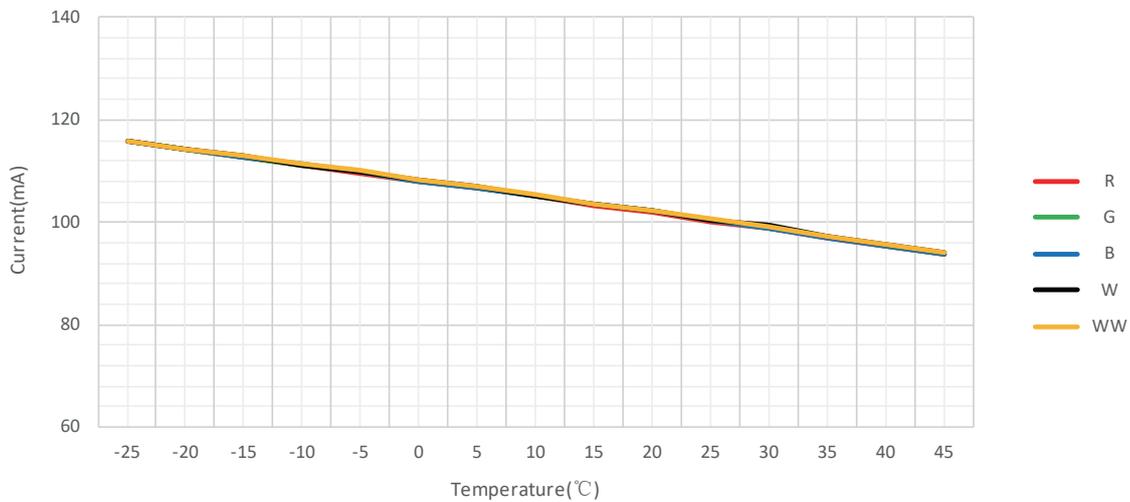
LED Q'ty/m	60LEDs/m
SMD Type	5050(5chip in 1 LED)
Working hour	30000h
Warranty	3years
Working temperature	-20°C ~ +45°C
Minim cuttable length	100mm
PCB Width	15mm

Voltage & Current Curve



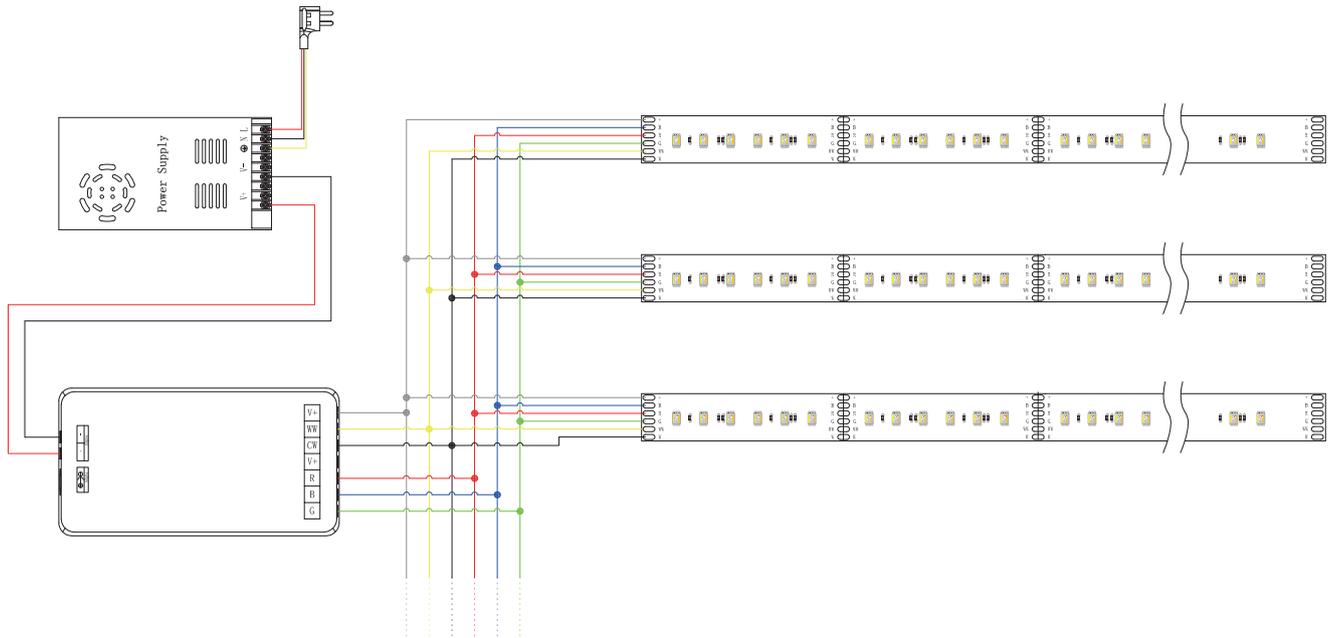
Note: This curve is tested when the IP20 1M LED Strip is under thermal stability after 2h continuous working in 15 C room temperature.

Temperature & Current Curve



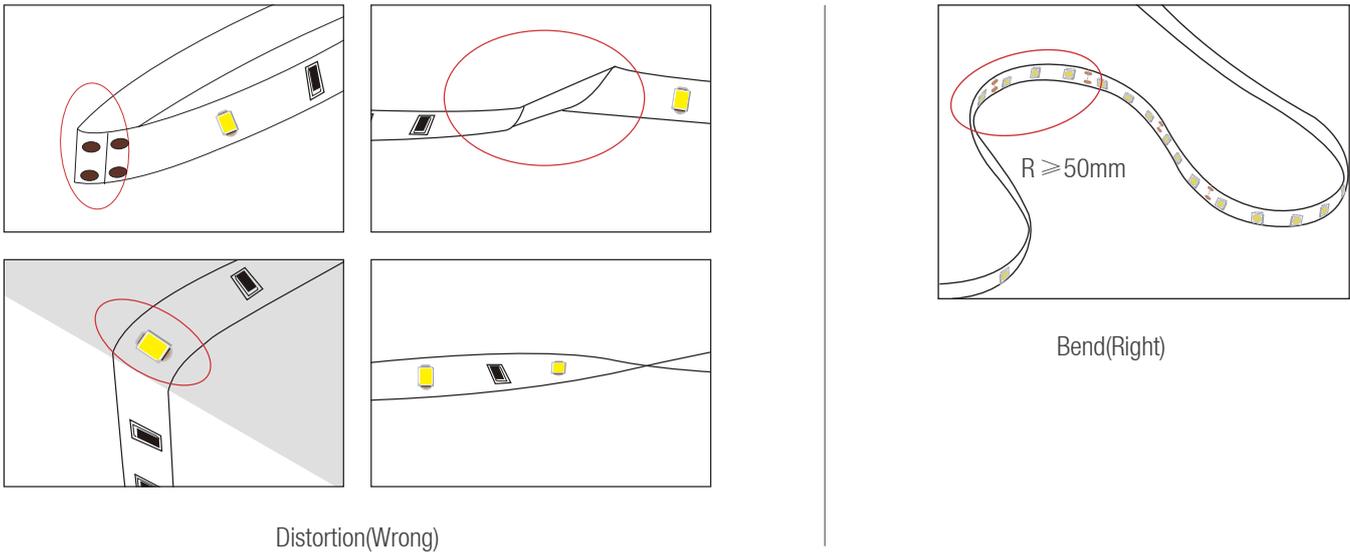
Note: This curve is test data of 1M LED Strip.

Wiring Diagram



! Cautions

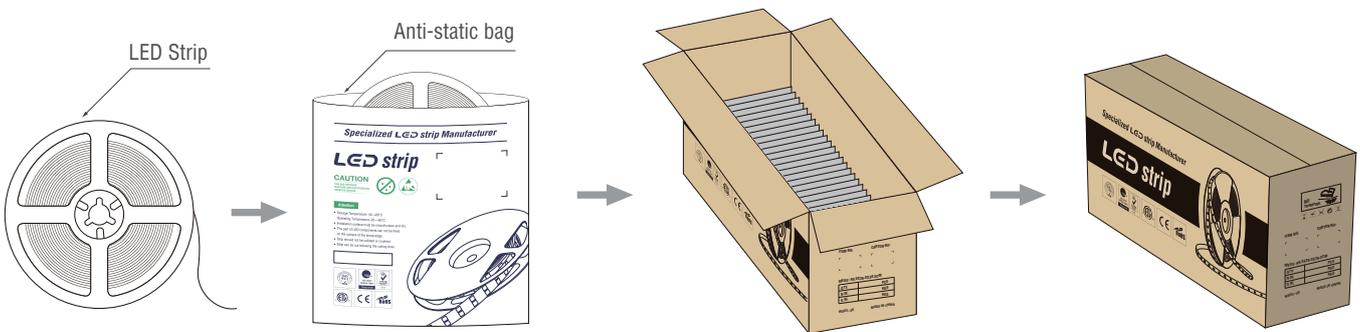
When install the led strip,please note the installation technique.The led strip can be bent,but not distorted,as shown below.



➤ LED strips are low voltage products,you must use the power supply(transformer).Please don,t connect the led strip directly to the AC 110v or AC 220v,otherwise it will burn out the LED strips.

➤ Clean up the installation surface,it will ensure the reliability of the adhesive,The electrical connection process must be operated by a professional person.

Package



S H I N E S K Y

**Specialized
LED strip
Manufacturer**

SHENZHEN SHINESKY OPTOELECTRONICS CO.,LTD



Building 29, Shancheng Industrial Park, Shiyan Street, Bao'an District,
Shenzhen, Guangdong, China.



OUR EMAIL

director@shineskygroup.com



OUR PHONE

0755-29516255



OUR WEBSITE

www.strip-lights.com