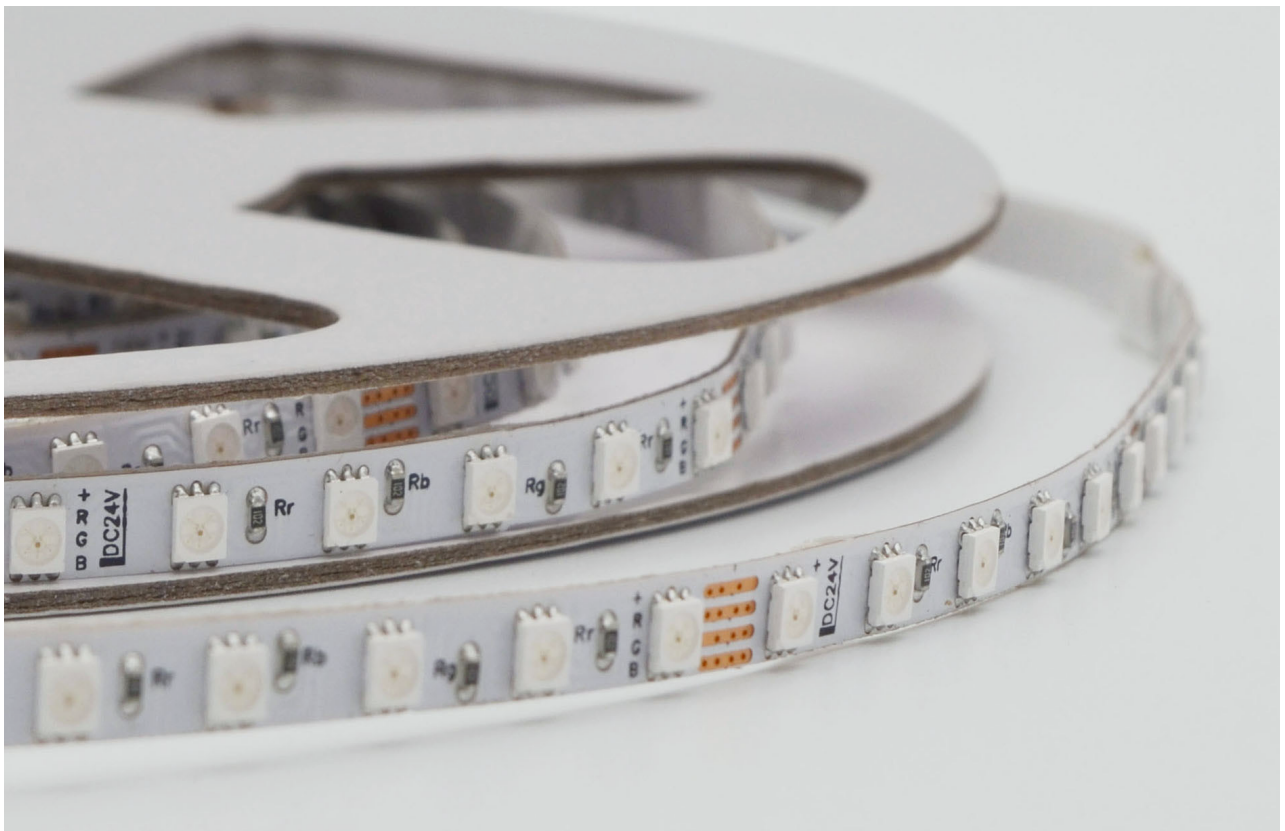


SK-ST2Q120V24-Crgb

# SMD2835 RGB 120 LEDs/m



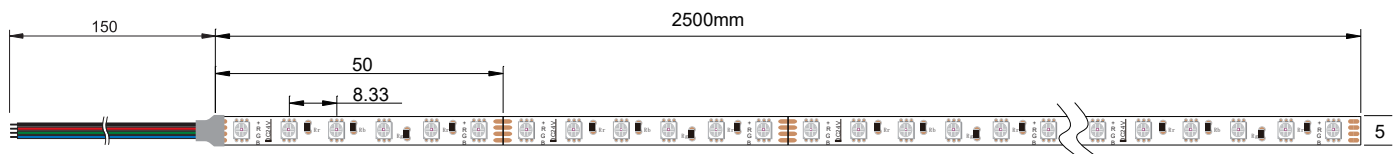


## Product Features

- DC24V power supply, safety and energy saving, high brightness 2835RGB LED
- High density, 5mm narrow RGB color led strip, more wide the use environment.
- Suitable kinds of controllers and amplifiers;
- Dimmable; easy cutting and soldered;



## Structure & Parameter



### Optical Parameter

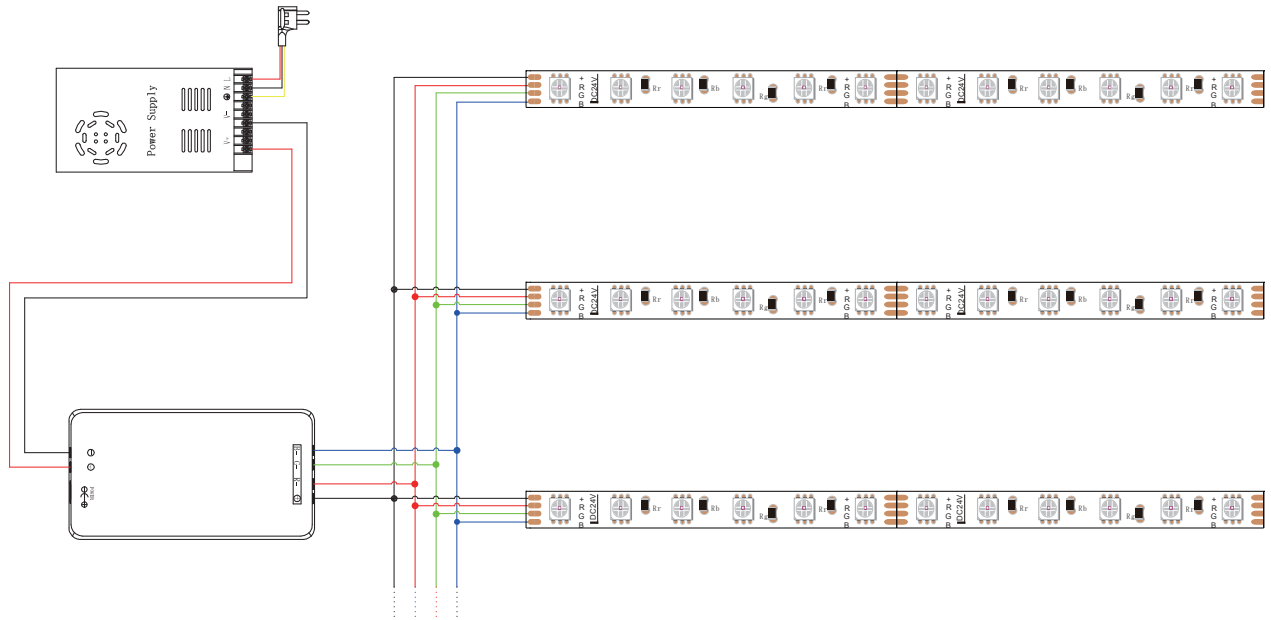
CCT(K)

- R:620–630nm
- G:520–530nm
- B:465–475nm

### Basic Parameter

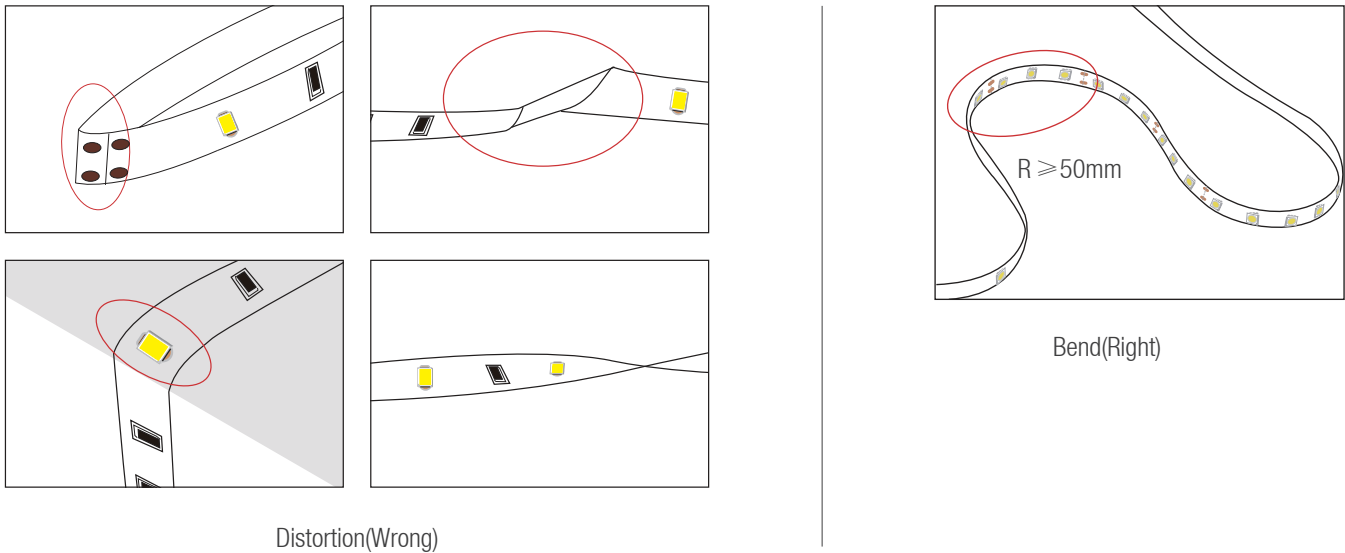
Input voltage	DC24V
Power/m	9.6w
Max current / LED	20mA
LEDs / m	120leds
Lumen / m	450LM
SMD Type	2835RGB
Working hour	50000h
Working temperature	-25 °C ~ +45 °C
Cutable length	50mm
PCB Width	5

## Installation Diagram



**! Cautions**

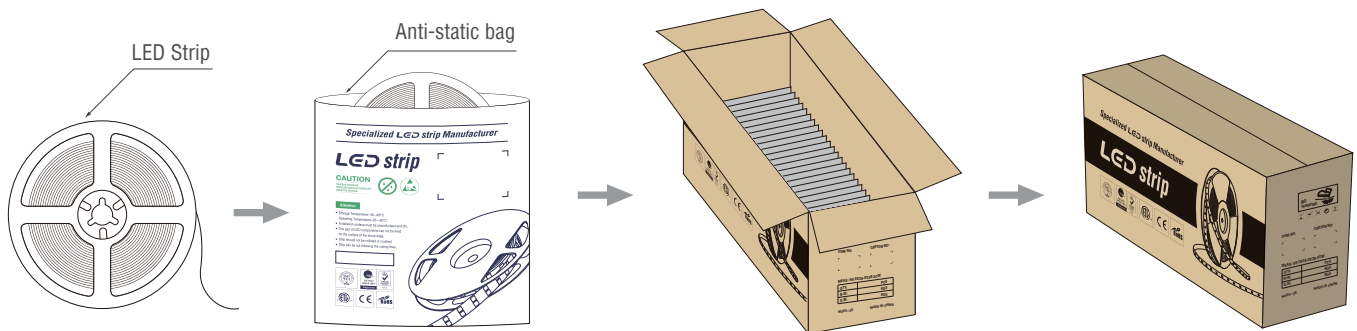
When install the led strip,please note the installation technique.The led strip can be bent,but not distorted,as shown below.



➤ LED strips are low voltage products,you must use the power supply(transformer).Please don,t connect the led strip directly to the AC 110v or AC 220v,otherwise it will burn out the LED strips.

➤ Clean up the installation surface,it will ensure the reliability of the adhesive,The electrical connection process must be operated by a professional person.

**📦 Package**



## Certification

Certificate CN1730296

The management system of **SHENZHEN SHINESKY OPTOELECTRONICS CO., LTD.** 2F, H1 Building, Hongfa Hi-tech Park, Tangtou, Shiyuan Town, Baoan District, Shenzhen, Guangdong, P.R. China Unified Social Credit Code 91440300781958133A has been assessed and certified as meeting the requirements of **ISO 9001:2015**

For the following activities:  
**Design and manufacture of LED strip products**

Further certification regarding the scope of this certificate and the applicability of ISO 9001:2015 requirements may be obtained by consulting the registration body. This certificate is valid from 2 March 2017 until 1 March 2020 and remains valid subject to satisfactory surveillance audits. Recertification audit due a minimum of 60 days before the expiration date. Issue 1, Certified since 2 March 2017.

SGS United Kingdom Ltd  
Premises Business Park, Elmham Post, Chester, CH5 3JX, UK  
+44 (0)1243 824881 +44 (0)1243 204492 www.sgs.com  
The certification information can be verified on the web site of Certification and Accreditation Administration of the People's Republic of China www.cnca.gov.cn

SGS 9001 2015 1015  
Page 1 of 1





**Intertek**

**AUTHORIZATION TO MARK**

This authorizes the application of the Certification Mark(s) shown below to the models described in the Product(s) Covered section when made in accordance with the conditions set forth in the Certification Agreement and Listing Report. This authorization also applies to multiple lesser model(s) identified on the continuation page of the Listing Report. This document is the property of Intertek Testing Services and is not transferable. The certification mark(s) may be applied only at the location of the Party Authorized to Apply Mark.

<b>Applicant:</b> Shenzhen Shinesky Optoelectronic Co., LTD 2F, H1 Building, Hongfa Hi-tech Park, Tangtou, Shiyuan Town, Baoan District, Shenzhen, Guangdong	<b>Manufacturer:</b> Shenzhen Shinesky Optoelectronic Co., LTD 2F, H1 Building, Hongfa Hi-tech Park, Tangtou, Shiyuan Town, Baoan District, Shenzhen, Guangdong
<b>Country:</b> China <b>Contact:</b> Bin Wu <b>Phone:</b> +86-755-29518255 <b>FAX:</b> - <b>Email:</b> mail@skled.com	<b>Country:</b> China <b>Contact:</b> Bin Wu <b>Phone:</b> +86-755-29518255 <b>FAX:</b> - <b>Email:</b> mail@skled.com

**Party Authorized To Apply Mark:** Same as Manufacturer  
**Report Issuing Office:** Intertek Testing Services Shanghai

Control Number: 50009056  
Authorized by: Thomas, Product Certification Manager

This document supersedes all previous Authorizations to Mark for the noted Report Number.

Intertek Testing Services NA Inc.  
545 East Algonquin Road, Arlington Heights, IL 60005  
Telephone 800-368-5857 or 847-435-8887 Fax 815-253-1872

Low Voltage Lighting Systems - UL 2108 (Revised: 2004/02/27 Ed. 1 Rev. 2014/02/24)  
General Requirements for Luminaires - CSA C22.2 No. 0-10 (revised: 1995/09/01 Ed. 1 (R2011), with Gen. Int. 1 - 1997, Gen. Int. 2 - 1998)

**Product:** Low voltage flexible LED strip  
**Models:** SK-ST308V12, others "X", "Y" and "Z" is any number, "2" is a letter or the combination of a letter and a number

ATM for Report 150300649SH4-001  
Page 1 of 1  
ATM Issued: 21-May-2015

**SGS**

**Verification Report** No. CANEG1706839702 Date: 17 May 2017 Page 1 of 14

SHENZHEN SHINESKY OPTOELECTRONICS CO., LTD  
2F, H1 BUILDING, HONGFA HI-TECH PARK, TANGTOU, SHIYUAN TOWN, BAOAN DISTRICT, SHENZHEN CITY 518108 P.R. CHINA

**Sample Name:** Flexible LED Strip  
**SGS Job No.:** CP17-00413 - GZ

**Internal Reference No.:** 2.2  
**Tested Basic Model No.:** SK-ST308V12  
**(P.O. No.):** -  
**Tested Extended Model No.:** SK-ST308V12, SK-ST308V24, SK-ST308V8  
**(P.O. No.):** -  
**Client Ref. Info.:** See remark (4)

**Date of Sample Received:** 19 Apr 2017  
**Verification Period:** 10 Apr 2017 - 17 May 2017  
**Verification Requested:** With reference to RoHS Directive 2015/863/EU amending 2011/65/EU  
**Verification Method:** Please refer to next page(s).  
**Verification Result:** Please refer to next page(s).  
**Verification Conclusion:** Based on the verification results of the submitted sample(s), the results of Lead, Mercury, Cadmium, Hexavalent chromium, Polybrominated biphenyls (PBBs), Polybrominated diphenyl ethers (PBDEs) do not exceed the limit as per RoHS Directive (EU) 2015/863 amending Annex I to Directive 2011/65/EU. The test results are related only to the tested items. The report shall not be reproduced except in full without the written approval of the testing laboratory.

**SGS-CEC Standards Technical Services Co., Ltd. Guangdong Branch**

Jenny Liao  
Approved Signatory




**nqa** global assurance

This is to certify that the Environmental Management System of

**CLIENTS NAME SHINESKY OPTOELECTRONICS**  
ADDRESS 2F, H1 Building, Hongfa Hi-tech Park, Tangtou, Shiyuan Town, Baoan District, Shenzhen City 518108 P.R. China

applicable to  
**SCOPE Flexible LED Strip**

has been assessed and registered by NQA against the provisions of **ISO 14001:2004**

This registration is subject to the company maintaining an environmental management system, to the above standard, which will be monitored by NQA. To maintain the validity of this certificate, the periodic surveillance shall be monitored by certification body. Please consult the website: www.nqa.com.cn

Certificate Number: 150300649SH4-001  
Date: 18 May 2017  
Valid Until: 18 May 2020

Head of NQA  
UKAS Management System  
015

The use of the OHSAS 18001 Accreditation Mark includes accreditation in respect of those activities covered by the accreditation certificate number 015 held by NQA. It does not include activities not covered by the OHSAS 18001:2007 Accredited scope. Registered office: Shenzhen Hi-Tech Park, Hongqiang Road, Shenzhen, Guangdong, P.R. China. For full details on the property of OHSAS 18001:2007, and how to be retained on report.

**nqa** global assurance

This is to certify that the Environmental Management System of

**CLIENTS NAME SHINESKY OPTOELECTRONICS**  
ADDRESS 2F, H1 Building, Hongfa Hi-tech Park, Tangtou, Shiyuan Town, Baoan District, Shenzhen City 518108 P.R. China

applicable to  
**SCOPE Flexible LED Strip**

has been assessed and registered by NQA against the provisions of **OHSAS 18001:2007**

This registration is subject to the company maintaining an environmental management system, to the above standard, which will be monitored by NQA. To maintain the validity of this certificate, the periodic surveillance shall be monitored by certification body. Please consult the website: www.nqa.com.cn

Certificate Number: 150300649SH4-001  
Date: 18 May 2017  
Valid Until: 18 May 2020

Head of NQA  
UKAS Management System  
015

The use of the OHSAS 18001 Accreditation Mark includes accreditation in respect of those activities covered by the accreditation certificate number 015 held by NQA. It does not include activities not covered by the OHSAS 18001:2007 Accredited scope. Registered office: Shenzhen Hi-Tech Park, Hongqiang Road, Shenzhen, Guangdong, P.R. China. For full details on the property of OHSAS 18001:2007, and how to be retained on report.

**CERTIFICATE of Conformity**  
EC Council Directive 2014/30/EU  
Electromagnetic Compatibility

Registration No.: AE 50378145 0001  
Report No.: 50080521 001

**Holder:** ShenZhen Shinesky Optoelectronics Co., Ltd  
2F, H1 Building, Hongfa Hi-tech Park, Tangtou, Shiyuan Town, Baoan District, Shenzhen City 518108 P.R. China

**Product:** LED Lighting (Flexible LED Strip)


**Identification:** Type Declaration No.: SR-ST308V12 (to refer to test report)  
Serial No.: 015  
Remark: Refer to above listed test report for details.

**Tested acc. to:** EN 55015:2013  
EN 61347:2009

This certificate of conformity is based on an evaluation of a sample of the above mentioned product. Technical Report and documentation are at the License Holder's disposal. This is to certify that the tested sample is in conformity with all provisions of Annex B of Council Directive 2014/30/EU. This certificate does not imply assessment of the production of the product and does not permit the use of a TÜV Rheinland mark of conformity. The holder of the certificate is authorized to use this certificate in connection with the EC declaration of conformity according to the a.m. Directives.

Certification Body  
Date: 16.05.2017  
TÜV Rheinland LGA Products GmbH - Tinseltalweg 2 - 90431 Nürnberg

CE The CE marking may only be used if all relevant and effective EC Directives are complied with CE




S H I N E S K Y

**Specialized  
LED strip  
Manufacturer**

## SHENZHEN SHINESKY OPTOELECTRONICS CO.,LTD



Building 29, Shancheng Industrial Park, Shiyan Street, Bao'an District,  
Shenzhen, Guangdong, China.



### OUR EMAIL

[director@shineskygroup.com](mailto:director@shineskygroup.com)



### OUR PHONE

Tel: 0755-29516255



### OUR WEBSITE

[www.shineskygroup.com](http://www.shineskygroup.com)